

»multifix« series

Diaphragm pressure regulator, self-relieving, with pneumatic remote control. The pressure is set with a pilot pressure regulator (1:1 ratio). The output pressure corresponds to the set pressure of the pilot pressure regulator. Either a standard or a precision pressure regulator can be used to regulate the pilot pressure.

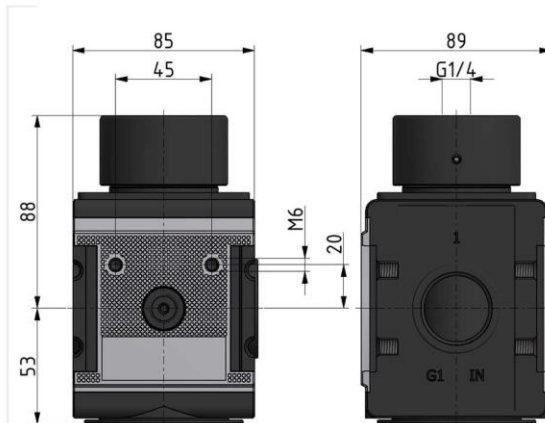
Max. input pressure: 16 bar  
 Medium temperature: -10 to 60 °C  
 Ambient temperature: -10 to 60 °C  
 Sealant: NBR  
 Flow rate measurement: At  $P_1 = 10$  bar,  $P_2 = 6.3$  bar and pressure drop  $\Delta p = 1$  bar

Pressure regulator with pneumatic remote control, without pressure gauge

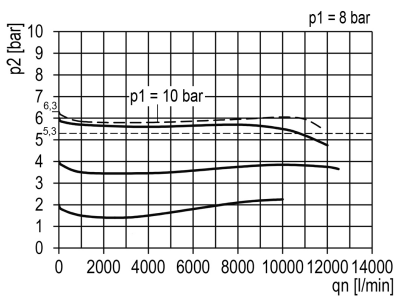
Art. No.	Type No.	Thread	Pilot air connection	Housing	Flow rate l/min	Size	DN
133105	RI 44	G 3/4	G 1/4	Die-cast aluminium	12000	4	20

Accessories / spare parts

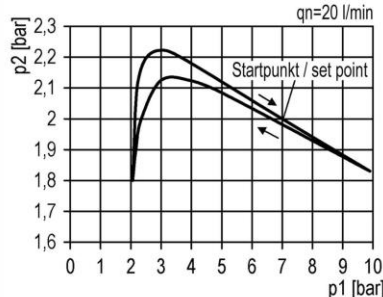
Art. No.	Type No.	Description
135858	ZW 45	Mounting bracket with 2 screws
135857	KP 45	Coupler pack for modular assembly of several devices
135855	22.1845.4	Set of wearing parts



flow characteristic



pressure characteristic



symbol

